

FAQ / Application Note

Subject: Add-on card applicable in 4U chassis

FAQ Document No: G23002

Date: 2023/03/16

Model Name: HPS 4U series

Rev. A1

Category: General H/W S/W Others, 寫小分類

Purpose:

Add-on card applicable in 4U chassis reference

Chassis evaluation => E195TTHP6U4A00R (528*430*174.8mm,INWIN 4U chassis, INWIN)



Avalue Technology Inc.

7F, 228, Lian-cheng Road, Zhonghe Dist., New Taipei City 235, Taiwan

www.avalue.com.tw
sales@avalue.com.tw
Tel: +886-2-8226-2345
Fax: +886-2-8226-2777

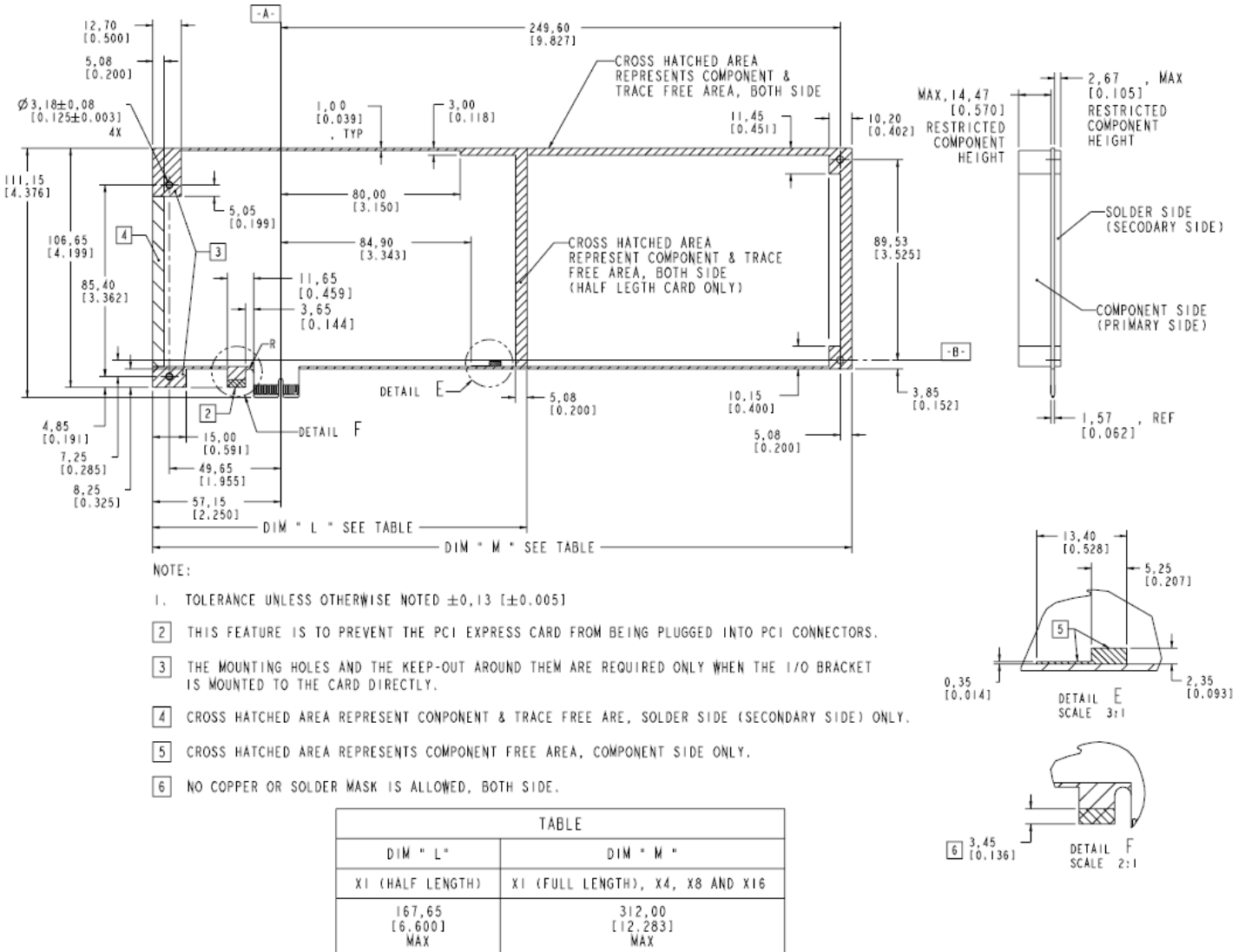
Avalue USA
sales@avalue-usa.com
Tel: +732-414-6500
Fax: +732-414-6501

Avalue Japan
sales.japan@avalue.co.jp
Tel: +81-3-5807-2321
Fax: +81-3-5807-2322

Avalue China
sales.china@avalue.com.cn
Tel: +86-21-5169-3609
Fax: +86-21-5445-3266

Avalue European Service Centre
eu_rma_service@avalue.com.tw
Tel: +31-251-7002-87

PCI Express specification (see figure below)



****Please kindly note that any customized PCI/PCIe/FPGA/GPU cards should be further evaluated by avalue.****

Avalue Technology Inc.

7F, 228, Lian-cheng Road, Zhonghe Dist., New Taipei City 235, Taiwan

www.avalue.com.tw
sales@avalue.com.tw
Tel: +886-2-8226-2345
Fax: +886-2-8226-2777

Avalue USA
sales@avalue-usa.com
Tel: +732-414-6500
Fax: +732-414-6501

Avalue Japan
sales.japan@avalue.co.jp
Tel: +81-3-5807-2321
Fax: +81-3-5807-2322

Avalue China
sales.china@avalue.com.cn
Tel: +86-21-5169-3609
Fax: +86-21-5445-3266

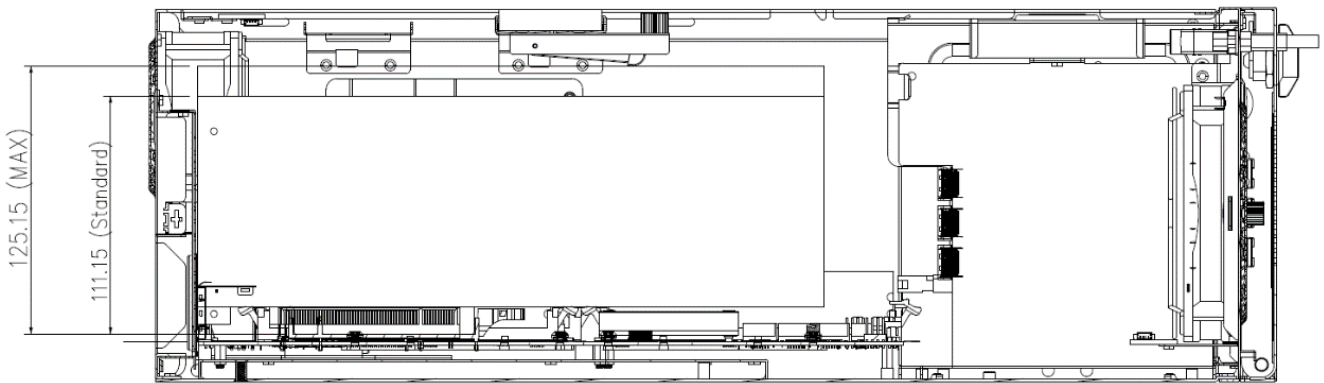
Avalue European Service Centre
eu_rma_service@avalue.com.tw
Tel: +31-251-7002-87

HPS-621D4A / HPS-621DTA series (MB: HPM-621DE)

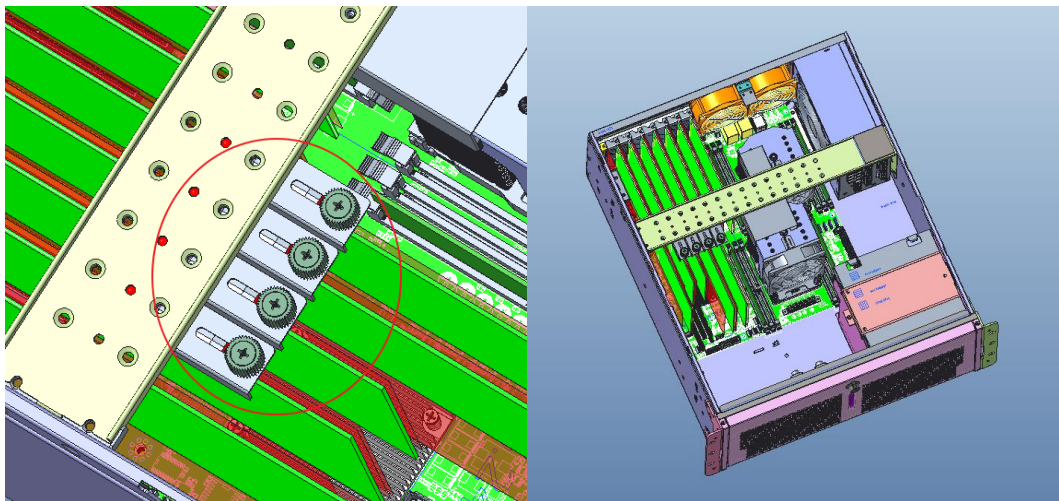
The max length & height PCI/PCIe card

Slot	Max Length (mm)	Max Height(mm)
Slot 1 PCIe 3.0 x8 from CPU1	293	125.15
Slot 2 PCI 3.0 from PCH	253	125.15
Slot 3 PCIe 3.0 x8 from CPU1	253	125.15
Slot 4 PCIe 3.0 x16 from CPU2	315	125.15
Slot 5 PCIe 3.0 x16 from CPU2	315	125.15
Slot 6 PCIe 3.0 x16 from CPU1	167.65	125.15
Slot 7 PCIe 3.0 x16 from CPU1	167.65	125.15

Side view



Height(Based on the hold-on bracket of chassis)



Avalue Technology Inc.

7F, 228, Lian-cheng Road, Zhonghe Dist., New Taipei City 235, Taiwan

www.avalue.com.tw
 sales@avalue.com.tw
 Tel: +886-2-8226-2345
 Fax: +886-2-8226-2777

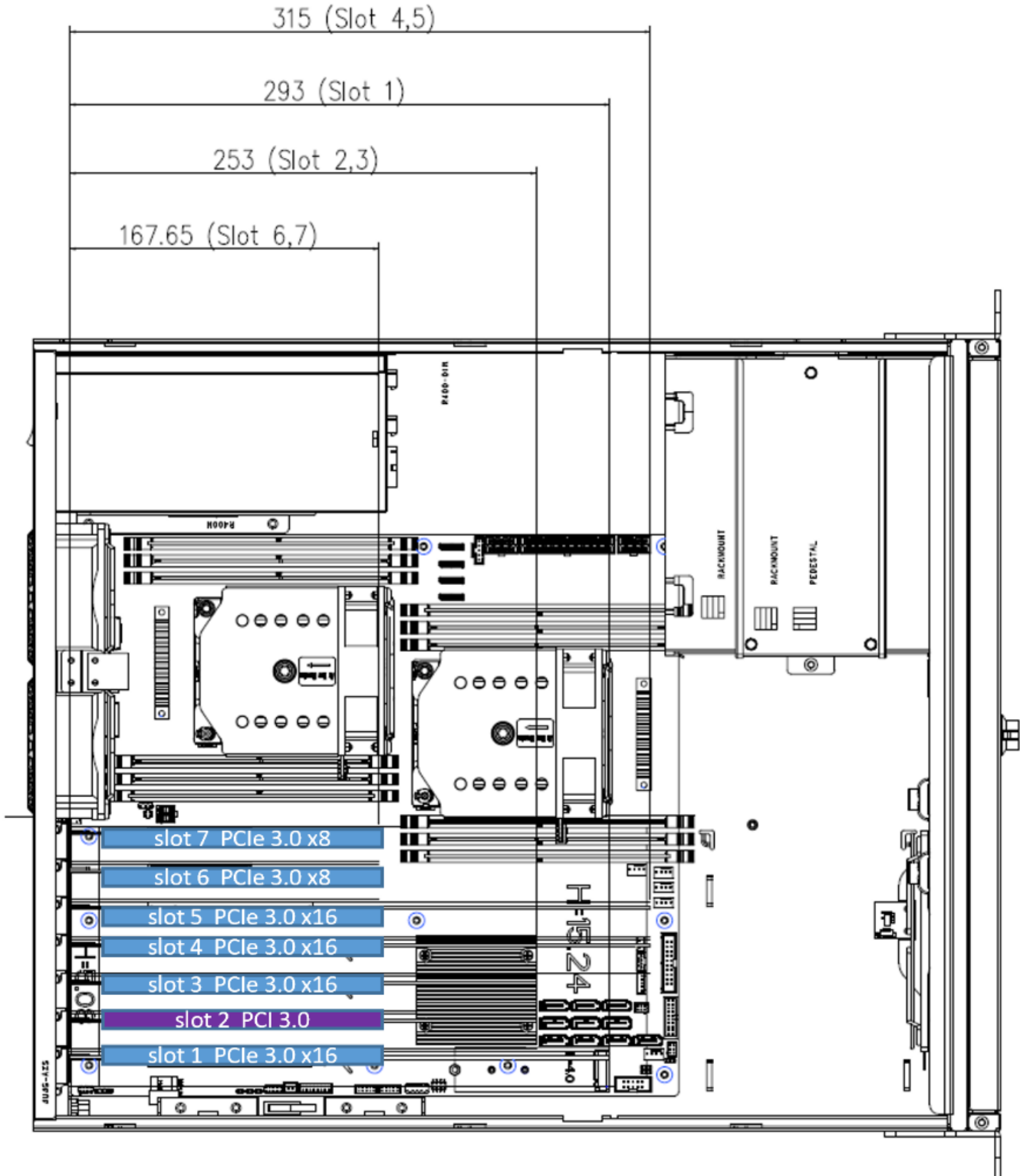
Avalue USA
 sales@avalue-usa.com
 Tel: +732-414-6500
 Fax: +732-414-6501

Avalue Japan
 sales.japan@avalue.co.jp
 Tel: +81-3-5807-2321
 Fax: +81-3-5807-2322

Avalue China
 sales.china@avalue.com.cn
 Tel: +86-21-5169-3609
 Fax: +86-21-5445-3266

Avalue European Service Centre
 eu_rma_service@avalue.com.tw
 Tel: +31-251-7002-87

Top view



Avalue Technology Inc.

7F, 228, Lian-cheng Road, Zhonghe Dist., New Taipei City 235, Taiwan

www.avalue.com.tw
 sales@avalue.com.tw
 Tel: +886-2-8226-2345
 Fax: +886-2-8226-2777

Avalue USA
 sales@avalue-usa.com
 Tel: +732-414-6500
 Fax: +732-414-6501

Avalue Japan
 sales.japan@avalue.co.jp
 Tel: +81-3-5807-2321
 Fax: +81-3-5807-2322

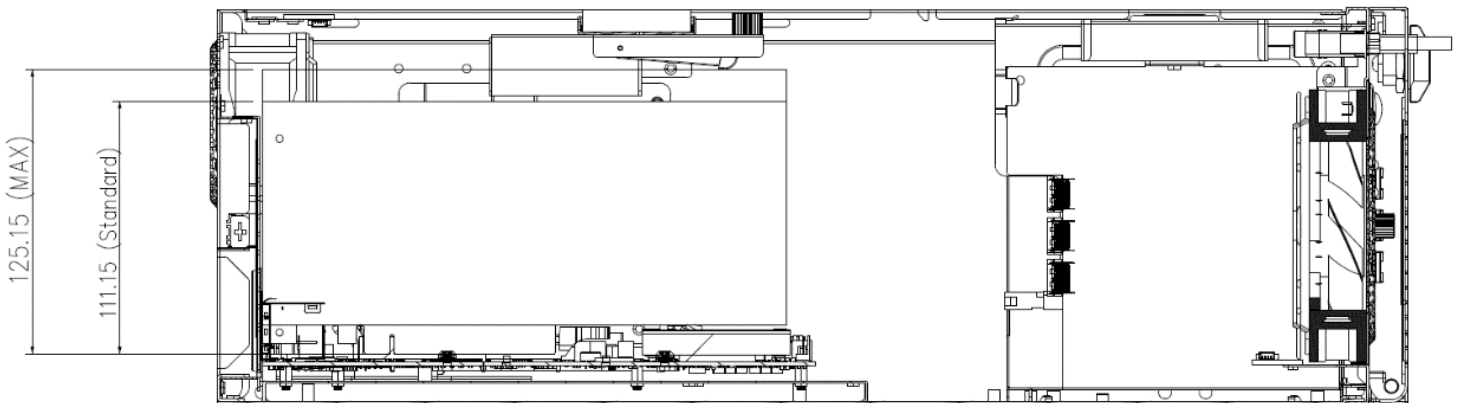
Avalue China
 sales.china@avalue.com.cn
 Tel: +86-21-5169-3609
 Fax: +86-21-5445-3266

Avalue European Service Centre
 eu_rma_service@avalue.com.tw
 Tel: +31-251-7002-87

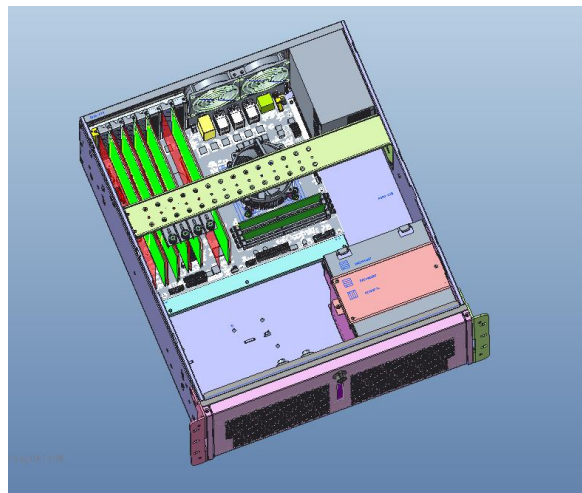
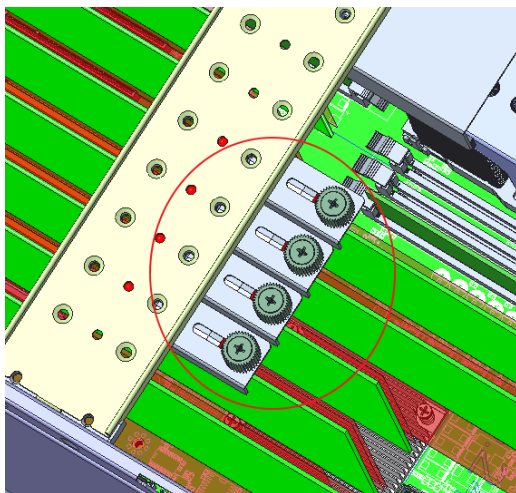
HPS-621U4A / HPS-621UTA series (MB: HPM-621UA)

Slot	Max Length (mm)	Max Height(mm)
Slot 1 PCI 3.0 from PCH	162	125.15
Slot 2 PCIe 3.0 x8	227	125.15
Slot 3 PCIe 3.0 x16	227	125.15
Slot 4 PCIe 3.0 x8	227	125.15
Slot 5 PCIe 3.0 x16	227	125.15
Slot 6 PCIe 3.0 x8	227	125.15
Slot 7 PCIe 3.0 x16	231	125.15

Side view



Height(Based on the hold-on bracket of chassis)



Avalue Technology Inc.

7F, 228, Lian-cheng Road, Zhonghe Dist., New Taipei City 235, Taiwan

www.avalue.com.tw
 sales@avalue.com.tw
 Tel: +886-2-8226-2345
 Fax: +886-2-8226-2777

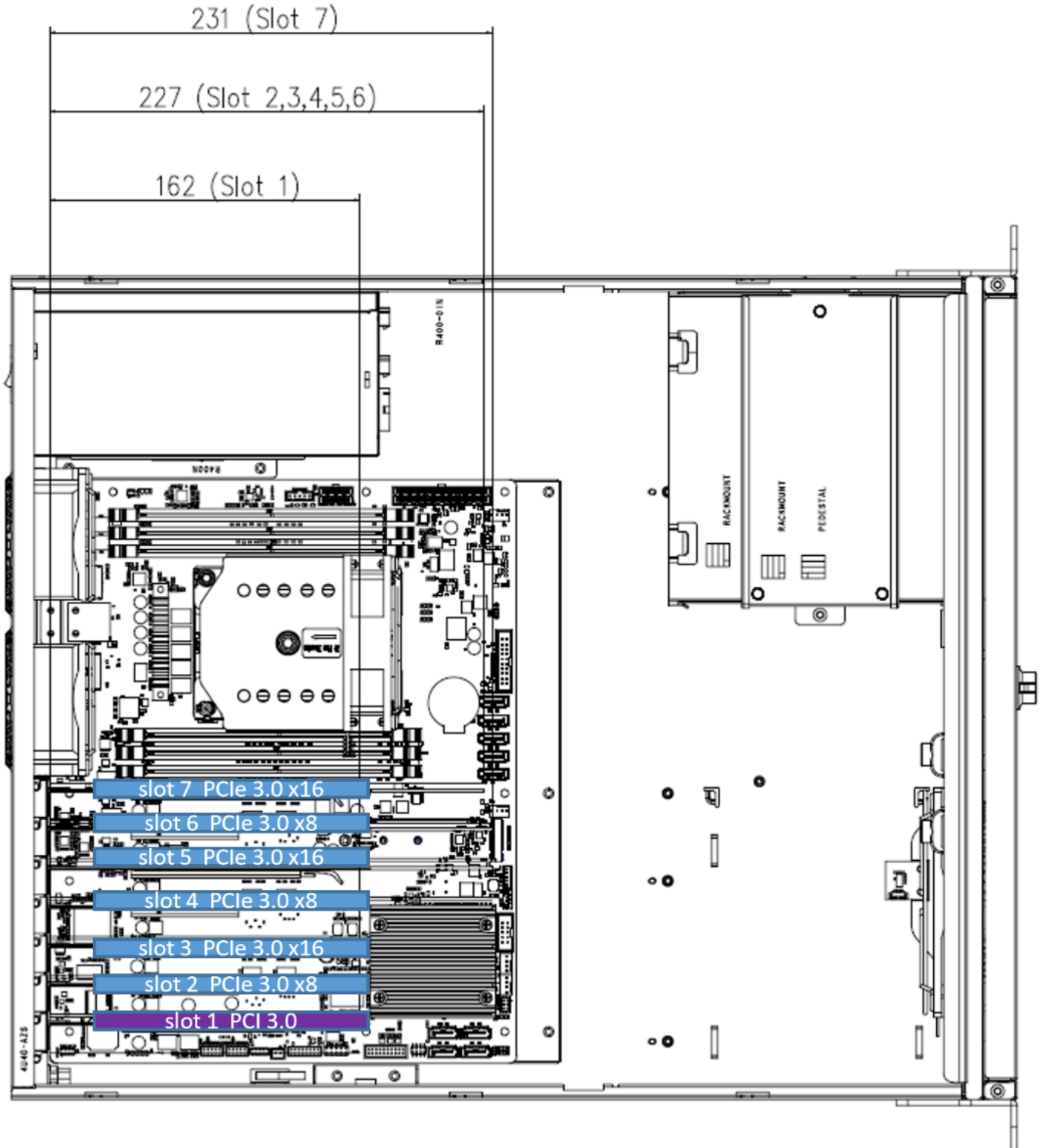
Avalue USA
 sales@avalue-usa.com
 Tel: +732-414-6500
 Fax: +732-414-6501

Avalue Japan
 sales.japan@avalue.co.jp
 Tel: +81-3-5807-2321
 Fax: +81-3-5807-2322

Avalue China
 sales.china@avalue.com.cn
 Tel: +86-21-5169-3609
 Fax: +86-21-5445-3266

Avalue European Service Centre
 eu_rma_service@avalue.com.tw
 Tel: +31-251-7002-87

Top view



Avalue Technology Inc.

7F, 228, Lian-cheng Road, Zhonghe Dist., New Taipei City 235, Taiwan

www.avalue.com.tw
sales@avalue.com.tw
Tel: +886-2-8226-2345
Fax: +886-2-8226-2777

Avalue USA
sales@avalue-usa.com
Tel: +732-414-6500
Fax: +732-414-6501

Avalue Japan
sales.japan@avalue.co.jp
Tel: +81-3-5807-2321
Fax: +81-3-5807-2322

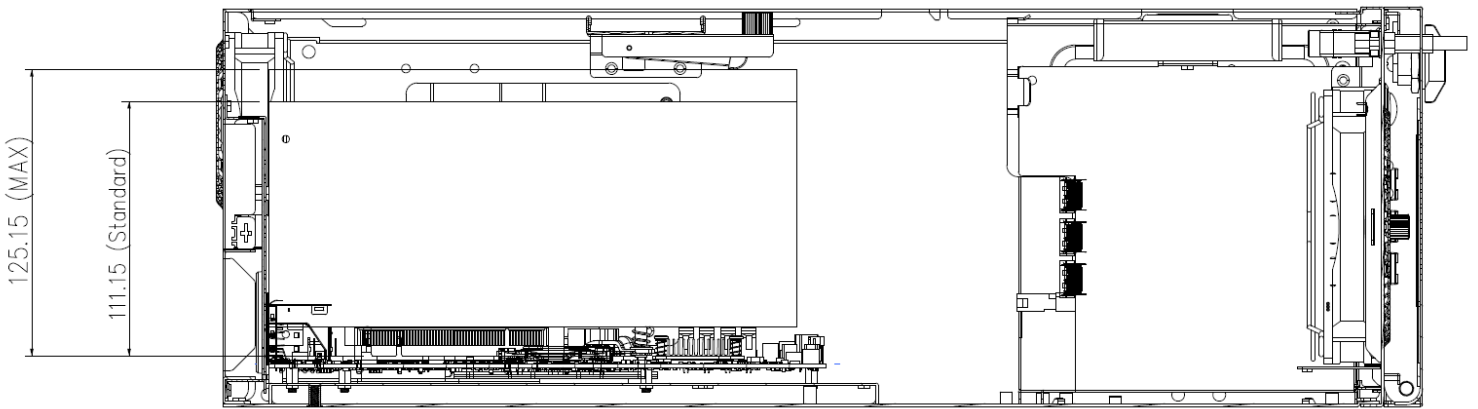
Avalue China
sales.china@avalue.com.cn
Tel: +86-21-5169-3609
Fax: +86-21-5445-3266

Avalue European Service Centre
eu_rma_service@avalue.com.tw
Tel: +31-251-7002-87

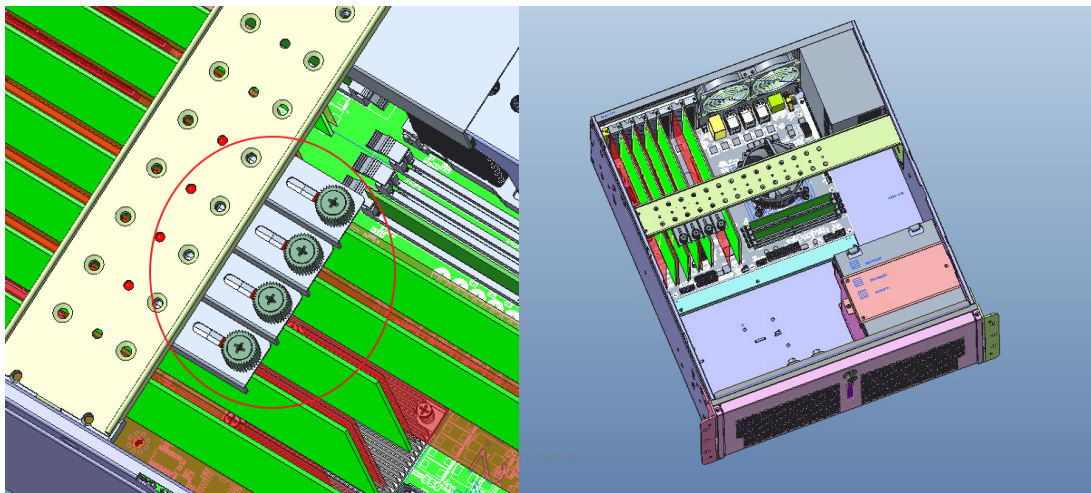
HPS-246U4A / HPS-246UTA series (MB:HPM-246)

Slot	Max Length (mm)	Max Height(mm)
Slot 1 PCI 3.0 from PCH	231	125.15
Slot 2 PCIe 3.0 x1	231	125.15
Slot 3 PCIe 3.0 x4	222	125.15
Slot 4 PCIe 2.0 x8	222	125.15
Slot 6 PCIe 3.0 x16	234	125.15

Side view



Height(Based on the hold-on bracket of chassis)



Avalue Technology Inc.

7F, 228, Lian-cheng Road, Zhonghe Dist., New Taipei City 235, Taiwan

www.avalue.com.tw
 sales@avalue.com.tw
 Tel: +886-2-8226-2345
 Fax: +886-2-8226-2777

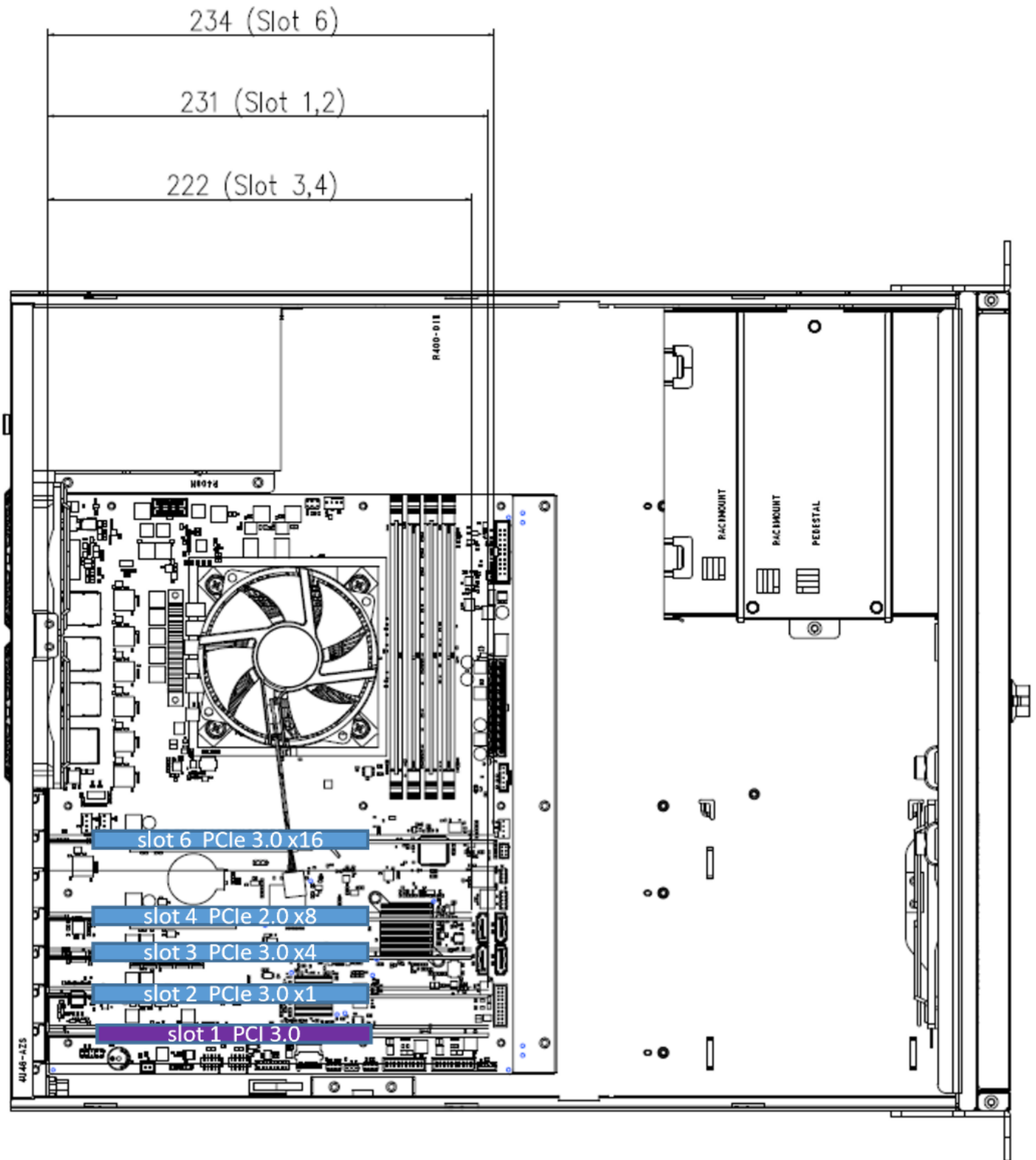
Avalue USA
 sales@avalue-usa.com
 Tel: +732-414-6500
 Fax: +732-414-6501

Avalue Japan
 sales.japan@avalue.co.jp
 Tel: +81-3-5807-2321
 Fax: +81-3-5807-2322

Avalue China
 sales.china@avalue.com.cn
 Tel: +86-21-5169-3609
 Fax: +86-21-5445-3266

Avalue European Service Centre
 eu_rma_service@avalue.com.tw
 Tel: +31-251-7002-87

Top view



Avalue Technology Inc.

7F, 228, Lian-cheng Road, Zhonghe Dist., New Taipei City 235, Taiwan

www.avalue.com.tw
sales@avalue.com.tw
Tel: +886-2-8226-2345
Fax: +886-2-8226-2777

Avalue USA
sales@avalue-usa.com
Tel: +732-414-6500
Fax: +732-414-6501

Avalue Japan
sales.japan@avalue.co.jp
Tel: +81-3-5807-2321
Fax: +81-3-5807-2322

Avalue China
sales.china@avalue.com.cn
Tel: +86-21-5169-3609
Fax: +86-21-5445-3266

Avalue European Service Centre
eu_rma_service@avalue.com.tw
Tel: +31-251-7002-87