



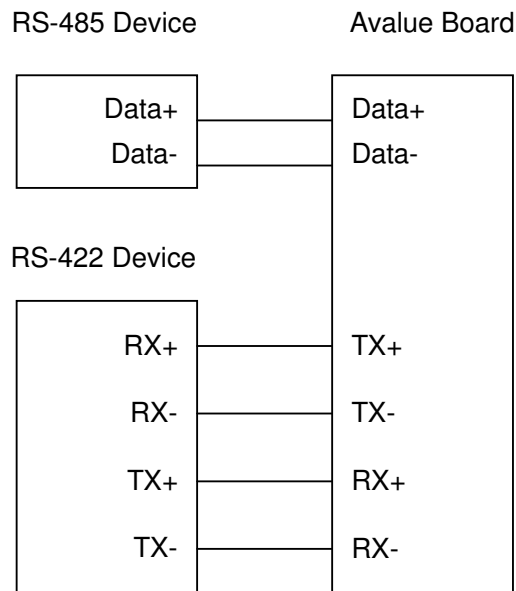
* Pin Header Serial Port Connector in RS-422 Mode

Signal	PIN		Signal
Tx-	1	2	Rx+
Tx+	3	4	Rx-
NC	5	6	NC
NC	7	8	NC
NC	9	10	NC

*Pin Header Serial Port Connector in RS-485 Mode

Signal	PIN		Signal
DATA-	1	2	NC
DATA+	3	4	NC
NC	5	6	NC
NC	7	8	NC
NC	9	10	NC

3. Before placing RS-422/485 device in a existing system, the RS-422/485 device should be properly configured. The following diagram show typical layouts for RS-422/485 device.





4. If you use some RS232 to RS422/485 converter to convert COM RS232 signal to RS-422/485, then you can use Avalue COM port test program for RS-422/485 function test.

